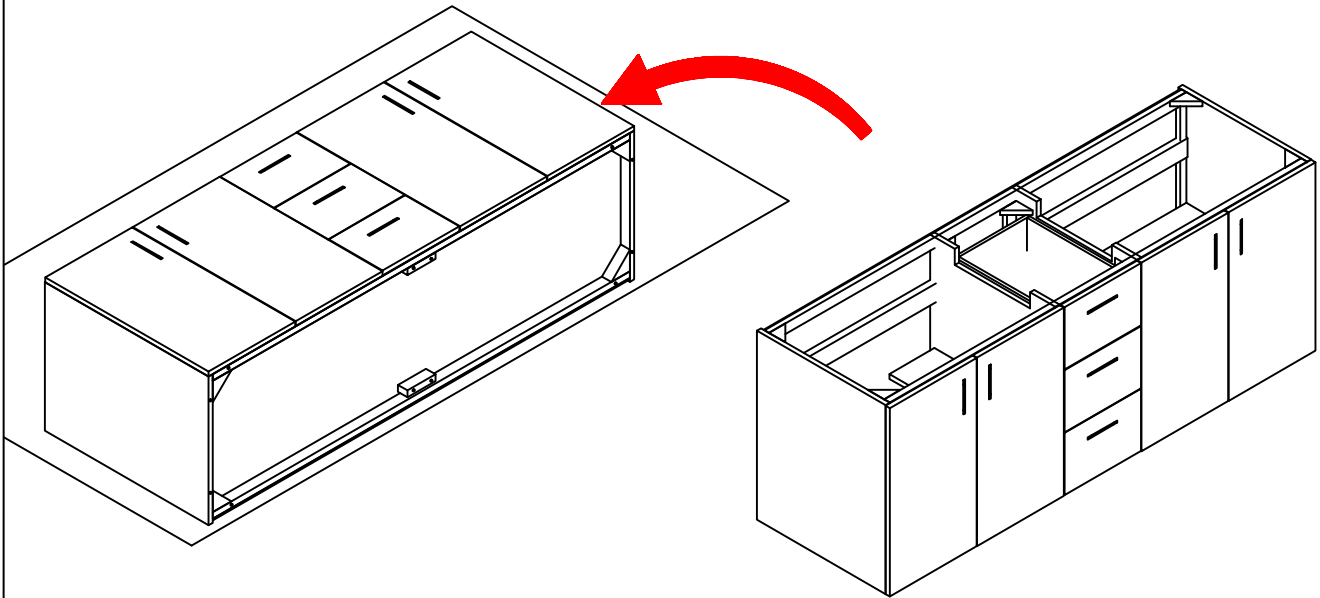




**850-V72-AWT / 850-V72-SOK Vanity
Assembly Instructions**

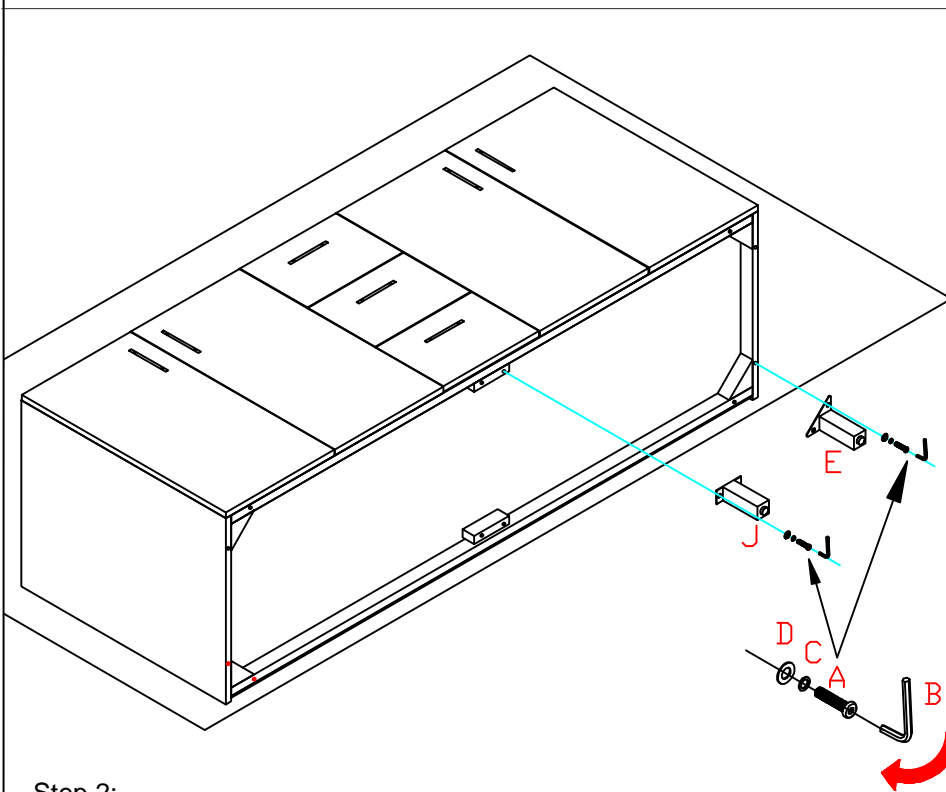
IMPORTANT:

This product may be wall-mounted, or you may use the metal legs (included) for standard installation. If you wish to hang the cabinet on the wall, please read all pages very carefully. if you wish the cabinet sit on the floor, please read page 1 only.



Step 1:

To attach the metal legs, place the cabinet lay down on a blanket or similar soft material.



A=12PCS	ø5/16*3/4	
B=1PC	ø5	
C=12PCS	ø5/16	
D=12PCS	ø5/16*3/4	
E=4PCS	83*83*127	
J=2PCS	84*40*127	

Step 2:

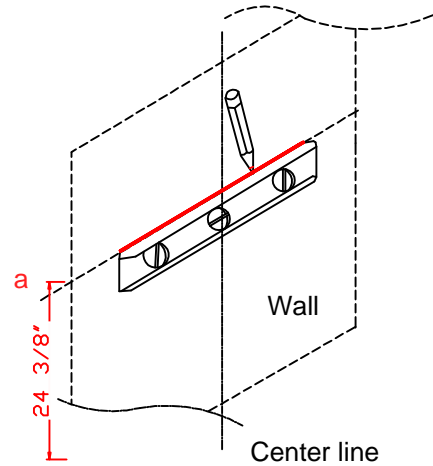
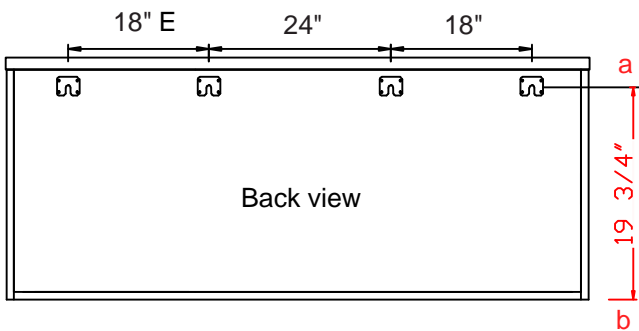
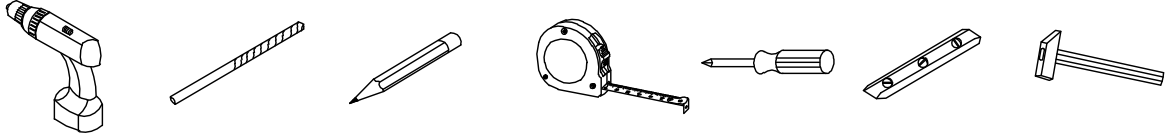
Attach the metal legs to the cabinet, insert the bolt (A) through the Spring Washer (C), Flat Washer (D) through into the pre-drilled holes at the bottom of Cabinet, then tighten the bolts using by Allen Wrench.



850-V72-AWT / 850-V72-SOK Vanity
Assembly Instructions

Tools required

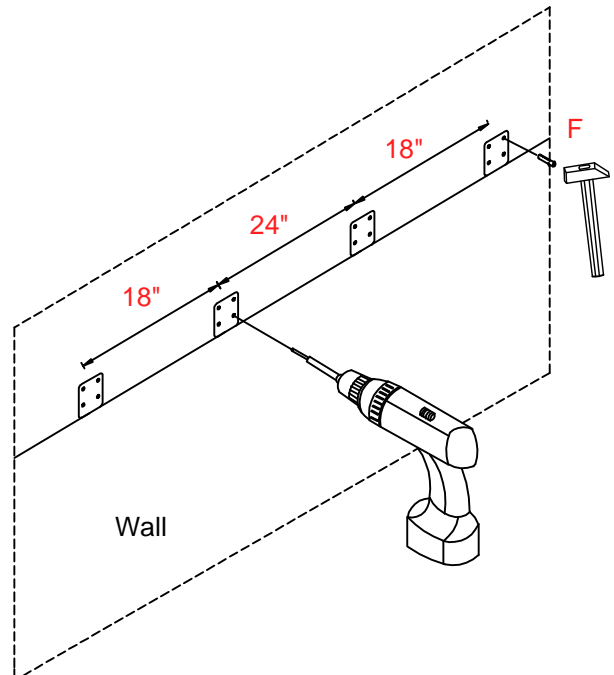
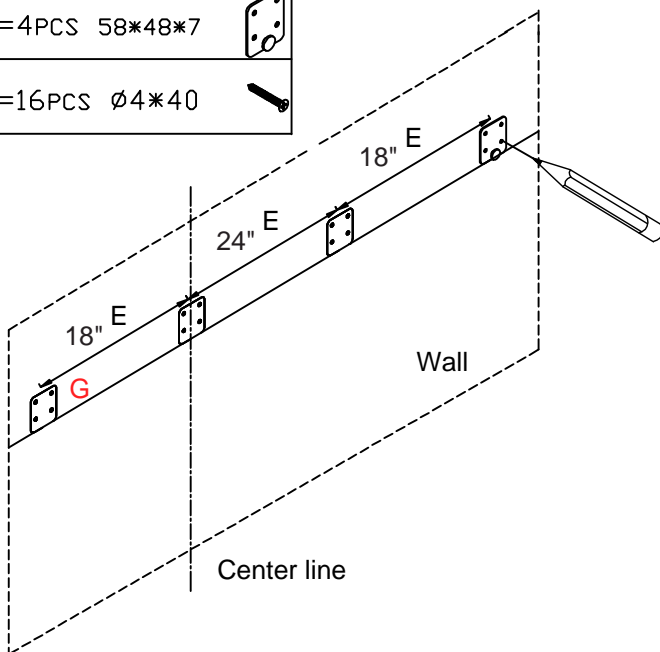
Screw driver drill with 5/16" bit Pencil Measuring tape Screw driver Leveler Hammer



Step 1:
 Metal plates has been pre-installed to the back of cabinet, measure the distance between the bottom of the cabinet and point a.

Step 2:
 Draw a horizontal line from the point a by using a leveler.
 (suggested H24 3/8" from floor to "a" line)

- F=16PCS $\phi 8 \times 38$
- G=4PCS 58*48*7
- H=16PCS $\phi 4 \times 40$

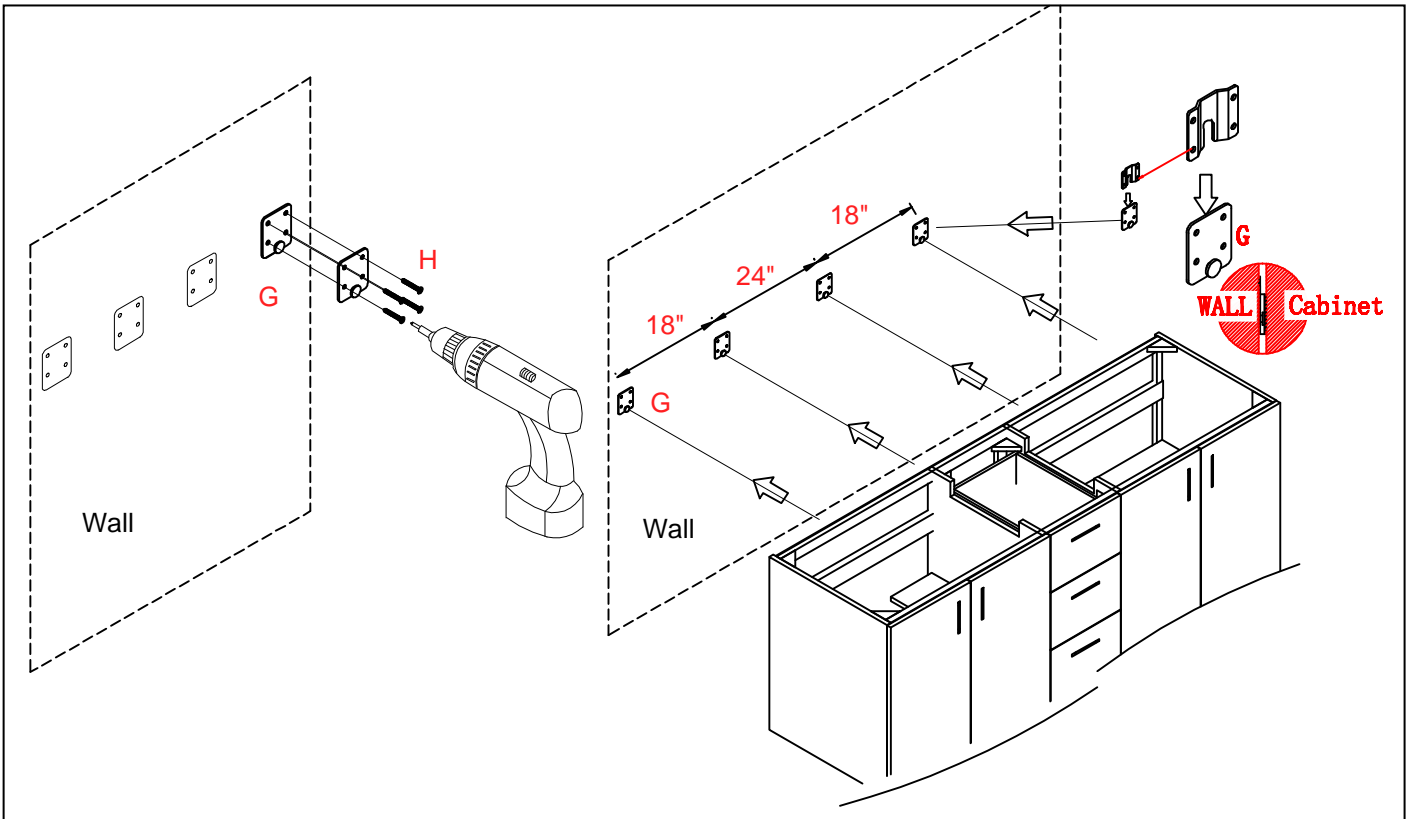


Step 3:
 Draw the points according to the hole of the mounting bracket

Step 4:
 Drill the holes' depth no less than 40mm, and insert "F" to the holes by using hammer.



850-V72-AWT / 850-V72-SOK Vanity
Assembly Instructions



Step 5: Attach the mounting bracket to the wall.

Step 6: Hang the cabinet on the mounting bracket.

Note: Always use two or more people when hanging cabinet.

